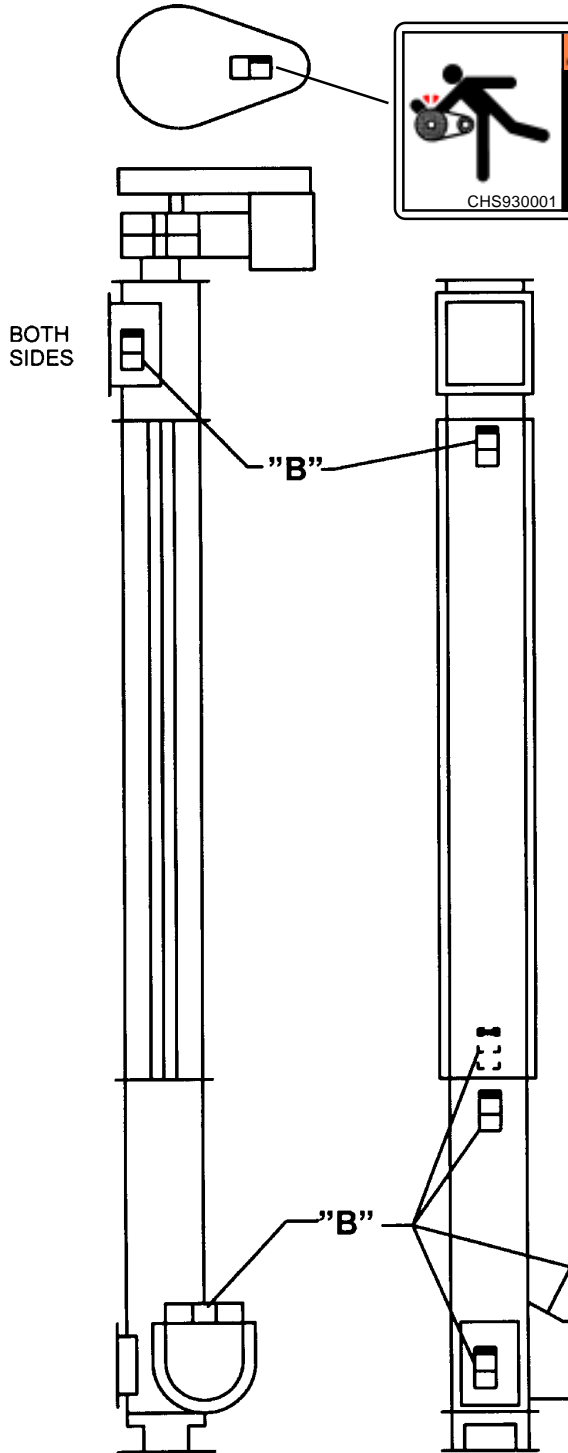


**Product: Screw Conveyors**

**Equipment: Vertical Screw Conveyor**

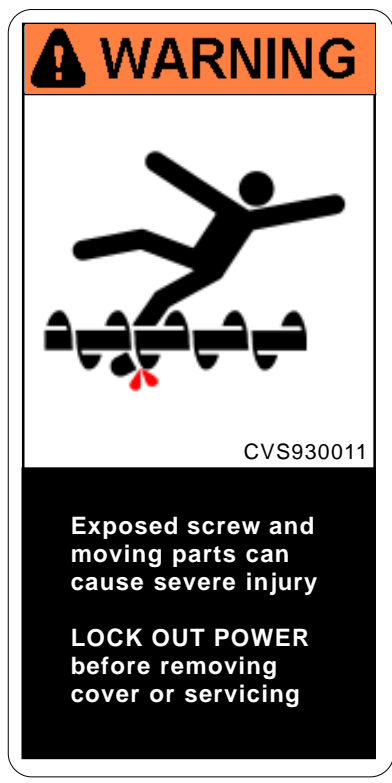


**"A"**

USE LABEL "A" ON BELT GUARD  
USE LABEL "B" ON ENDS OF TROUGH, ON INTAKE INSPECTION DOOR, AND BOTH SIDES OF DISCHARGE SPOUT.

- NEAR SIDE
- FAR SIDE

To be placed on removable guards to warn that operation of the machinery with guards removed would expose chains, belts, gears, shafts, pulleys, couplings, etc. which create hazards



**"B"**

To be placed on inlets and discharges, troughs, covers, and inspection doors of screw conveyors to provide warning against exposed moving parts while in operation.

