

CEMA Safety Label Placement Guidelines

CEMA Safety Labels

Placement Guidelines

Product: Unit Handling Equipment

Equipment: Lineshaft Conveyor

General warning to personnel that lineshaft conveyors use a rotating shaft which may be hazardous if hair or loose clothing becomes entangled around the lineshaft. Also used on any other conveyors where the exposed shaft may create similarly hazardous conditions.

To be placed along both sides of these conveyors since these conveyors provide surfaces and profiles attractive, but hazardous, for climbing, sitting, walking, or riding.

To be placed on removable guards to warn that operation of the machinery with guards removed would expose chains, belts, gears, shafts, pulleys, couplings, etc. which create hazards



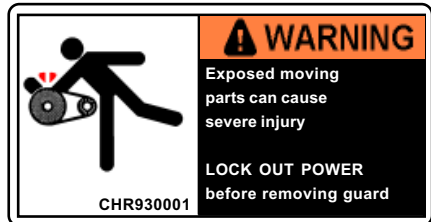
"A"

SPACE UP TO A MAXIMUM OF 20 FT. CENTERS (BOTH SIDES)



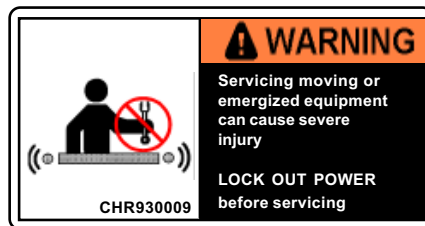
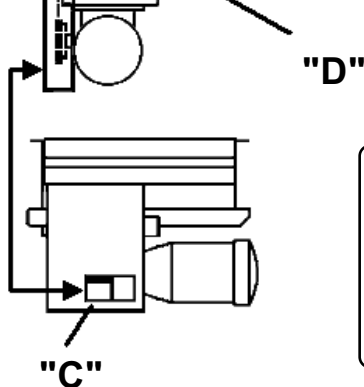
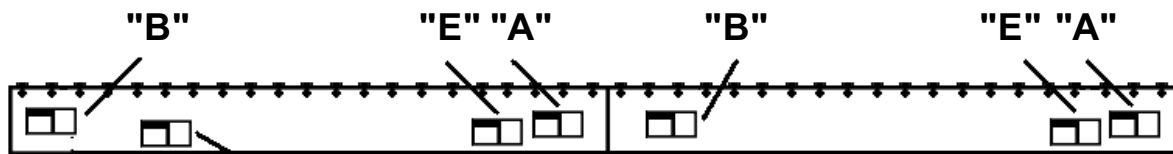
"B"

SPACE UP TO A MAXIMUM OF 20 FT. CENTERS (BOTH SIDES)



"C"

LOCATE AT DRIVE GUARDS AND CHAIN/BELT GUARDS



"D"

LOCATE ON DRIVE SECTION (BOTH SIDES)



"E"

LOCATE NEAR LINESHAFT GUARDS (BUT NOT ON GUARD)

NOTE:

The graphic for CHR950023 was replaced with the one in CHR951023 in October, 2004. The purpose was to identify the fact that hair and clothing can also be drawn into the machine from the bottom of the platform.



General purpose label to warn maintenance personnel that conveyors should be shut off and locked out prior to servicing; Examples: drives, take-ups, lubrication points which require guard removal.

General warning to personnel, used in conjunction with label A, to alert them that an exposed lineshaft may create a hazard, and that a guard was supplied that should be in place while the equipment is operated. If operated without the guard in place, the mechanism can grab body members, clothing, and hair.

